

External PowerSafe TAP 3296

Flexible, Low Cost Active Inline Bypass for nGenius 7000 Series Packet Flow Switch

HIGHLIGHTS

High Density

- Up to 4 field-replaceable modules in 1 RU
- Up to 8 full bypass segments
- Each segment includes two network ports and 2 appliance/monitor ports

Failsafe Connectivity

- System heartbeat monitoring
- Configurable fail open or fail forward per segment, upon loss of heartbeat or loss of EPT power

Wide Range of Network Links & Rates

- Copper, fiber singlemode and fiber multimode
- Copper speeds: 1G, 10G
- Fiber speeds: 1G, 10G, 40G, 100G
- No TAP transceivers needed

Appliance Connectivity

- Use with all nGenius® 7000 series packet flow switches
- Connects via USB cable

Management and Heartbeat

- Managed and monitored seamlessly via PFOS running on the nGenius 7000 series

Power and Cooling

- Powered via USB cable to nGenius 7000 series
- No power supplies or fans required

Product Description

The External PowerSafe TAP (EPT) 3296 is a low-cost, flexible solution to provide active inline security, with bypass protection to guard against power failure.

The EPT supports a wide variety of network links, connected to the nGenius 7000 series packet flow switch. Management, power and heartbeat are maintained via USB cable to the nGenius 7000 series. Management is done via the PFOS management software on the nGenius 7000, seamlessly integrated with all other PFOS functions.

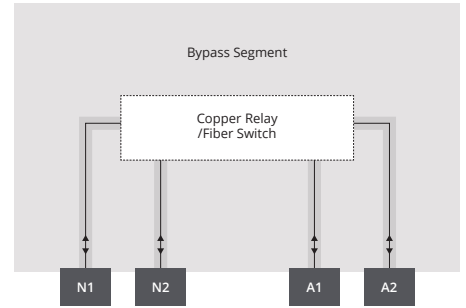
External PowerSafe TAP 3296 Modules:

Network Link	Type	Connector	Segments per module
1G	Copper	RJ45	2
1/10G	Copper	RJ45	2
1/10/40/100G	SM LX/LR/LR4	LC	2
1/10G	MM 50µm SX/SR	LC	2
1/10G	MM 62.5µm SX/SR	LC	2
40/100G	MM SR4	MPO	1



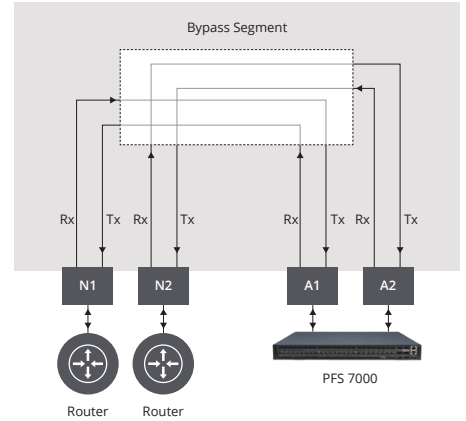
Bypass Segment

A full bypass segment comprises two network ports and two appliance ports. Type of ports varies by module.



Normal Active Mode

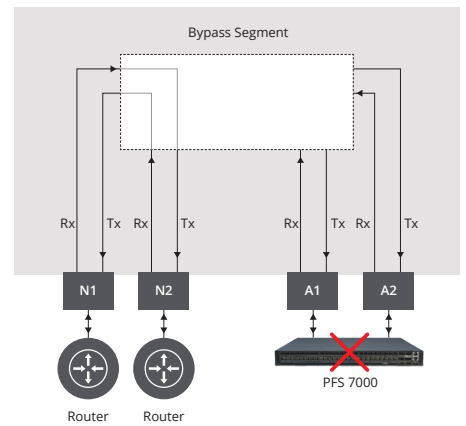
In normal active mode, traffic from one side of the network is forwarded to the nGenius 7000 series and from there to the inline tool(s), then back through the packet flow switch to the other side of the network.



Bypass Mode

In case of loss of heartbeat or EPT/PFS 7000 power failure, a segment configured as "Poweroff Mode = Bypass" (fail open) will cause traffic to bypass the PFS 7000 and continue on the network.

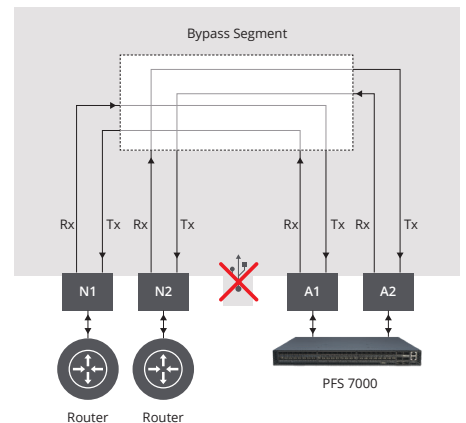
This is also the behavior of a segment with Manual Mode = Bypass.



Forward Mode

In case of loss of heartbeat or EPT/PFS 7000 power failure, a segment configured as "Poweroff Mode = Forward" will cause traffic to continue to be forwarded to the PFS 7000, just as normal active mode. However, the effective result depends on the nature of the failure. If the heartbeat or EPT power has failed (for example, due to USB cable removal), but PFS 7000 is still running, then traffic will continue to flow as per normal active mode. However, if the PFS 7000 has failed, then the system will behave as "fail-closed", and all traffic will be halted.

This is also the behavior of a segment with Manual Mode = Forward.



SPECIFICATIONS

Height	1.75in (44.5mm)
Length	10.07in (256.0mm)
Width	17.33in (440.0mm)
Weight	8.8lb (3.39kg), fully configured
Operating Temperature	32-104°F (0-40°C)
Operating Humidity	5-95% RH, non-condensing
BTU/Hr	8.53
Fan-Less	Passive cooling
Altitude	15,000 ft (4572m)
Max Power	2.5 Watts
DC	5V DC USB

SKU

3296-MN	External PowerSafe TAP 3296 Chassis, USB power, up to 4 modules (not included)
3296-SG-1TX-2B	External PowerSafe TAP 3296 Module, 1G Copper, RJ45 CAT5e, 2 segments
3296-SG-10TX-2B	External PowerSafe TAP 3296 Module, 10G/1G Copper, RJ45 CAT6a, 2 segments
3296-SG-SM-2B	External PowerSafe TAP 3296 Module, 1G/10G/40G/100G SM LC, 2 segments
3296-SG-MM-2B	External PowerSafe TAP 3296 Module, 1G/10G 50um MM SX/SR LC, 2 segments
3296-SG-MM5-2B	External PowerSafe TAP 3296 Module, 1G/10G 62.5um MM SX/SR LC, 2 segments
3296-SG-MMPO-1B	External PowerSafe TAP 3296 Module, 40G/100G MM SR4 MPO, 1 segment

DESCRIPTION

Safety

- UL/CSA 60950-1, EN 60950-1, IEC 60950-1
- CB Scheme will all country differences

Certifications

- North America (NRTL)
- European union (EU)
- VCCI (Japan)
- 2014/35/EU Low Voltage Directive
- 2014/30/EU EMC Directive
- 2011/65/EU RoHS Directive
- 2012/19/EU WEEE Directive

NETSCOUT

Corporate Headquarters
 NETSCOUT Systems, Inc.
 Westford, MA 01886-4105
 Phone: +1 978-614-4000
www.netscout.com

Sales Information
 Toll Free US: 800-309-4804
 (International numbers below)

Product Support
 Toll Free US: 888-357-7667
 (International numbers below)

NETSCOUT offers sales, support, and services in over 32 countries. Global addresses, and international numbers are listed on the NETSCOUT website at: www.netscout.com/company/contact-us